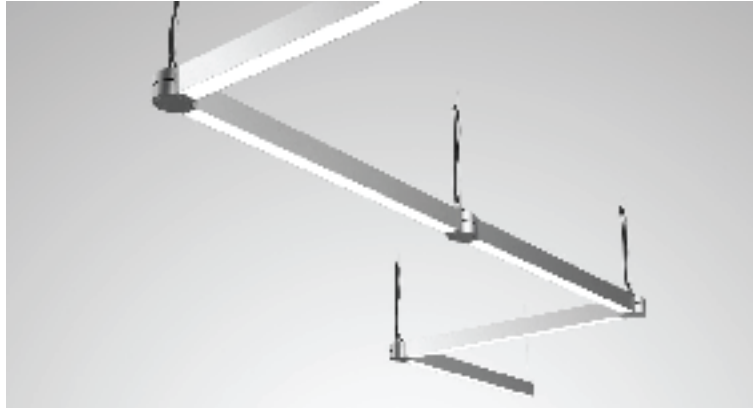
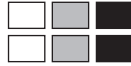


# Iline

**40W** 3320 Lm / 3760 Lm / 3760 Lm

**50W** 4150 Lm / 4700 Lm / 4700 Lm



## Scope of application

Commercial / Office / Conference Halls /  
Classrooms / Medical

## Description

Iline is a modular linear LED system including a branch box. It helps engineers and architects easily design a linear model with multiple geometric shapes.

## Advantages

It ensures appropriate heat dissipation and uniform light distribution.

Allowing the design of free and artistic lighting.

## Fitting

Fitting made of cast and finished premium aluminium alloy, frosted-white or black powder coated.

## Optics

Polycarbonate lens

## General Information

Mounting type: Suspended, Flush-mounted

LED type: SMD

Voltage: 100-240 VAC / 50-60 Hz

Operating temperature: -10 / +45

UGR: <19

CRI: >80

PF: >0.90

Angle: 110

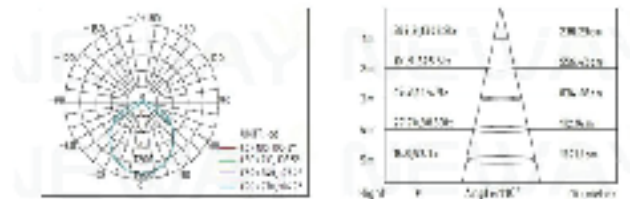
## Technical data

Code	Power <sup>[W]</sup>	Luminosity <sup>[Lm]</sup>	Efficiency <sup>[Lm / W]</sup>	Colour Temp. <sup>[K]</sup>	Dimensions <sup>[mm]</sup>	Weight <sup>[kg]</sup>
IL40WW-MW/S/BI	40	3320	83	3000	1320x60x80	2.7
IL40NW-MW/S/BI	40	3760	94	4000	1320x60x80	2.7
IL40W-MW/S/BI	40	3760	94	6000	1320x60x80	2.7
IL50WW-MW/S/BI	50	4150	83	3000	1590x60x80	3.4
IL50NW-MW/S/BI	50	4700	94	4000	1590x60x80	3.4
IL50W-MW/S/BI	50	4700	94	6000	1590x60x80	3.4

## Accessories


Product code	Suspension system	Application system	Embedding clips	Emergency kit	0-10V Dim. driver	DALI Driver	Sensor
ALL CODES	Yes			External	0-10	Yes	External

## Photometric diagrams



## Similar products

Tona 3PN	
	<b>20W</b> >6600 Lm
	<b>40W</b> >13200 Lm
	<b>50W</b> >22000 Lm

Tube 3P	
	<b>20W</b> >1980 Lm
	<b>40W</b> >3950 Lm
	<b>50W</b> >4940 Lm

Float	
	<b>40W</b> 3600 Lm / 3800 Lm / 3840 Lm

Pandia	
	<b>20W</b> 1850 Lm / 1930 Lm / 2020 Lm
	<b>40W</b> 3700 Lm / 3850 Lm / 4040 Lm
	<b>50W</b> 4625 Lm / 4825 Lm / 5050 Lm